

MODEL GEO-41382

RELATIVE HUMIDITY / TEMPERATURE PROBE



SPECIFICATIONS:

Power Requirement	41382	41342
V Option: 8 - 30 VDC	7 mA	5 mA

Relative Humidity: (41382)

Measuring Range: 0-100 %RH

Accuracy at 23°C: ±1%RH

Stability: Better than ±1 %RH per year

Response Time: 10 seconds (without filter)

Sensor Type: Rotronic Hygromer

Output Signal: V option: 0-1 VDC, L option: 4-20 mA

Temperature: (41382, 41342)

Calibrated Measuring Range:

-50 to 50°C (suffix VC or LC2)

-40 to 60°C (suffix LC2-48)

-50 to 150 °F (suffix FC or FC2)

Response Time: 10 seconds (without filter)

Accuracy at 23°C: ±0.3°C

±0.1 °C (optional) with NIST traceable calibration

Sensor Type: Platinum RTD

Output Signal: V Option: 0-1 VDC,
L Option: 4-20 mA, 4 wire RTD (41342 only)

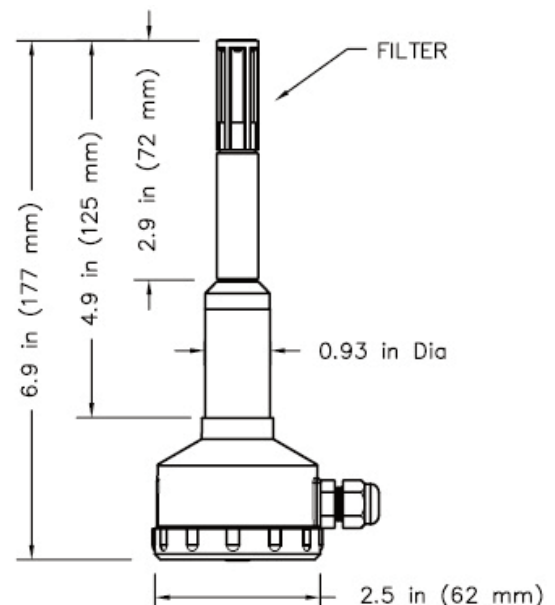
Recommended Radiation Shields

Model 41003 Multi-Plate Radiation Shield

Model 43502 Aspirated Radiation Shield

The **Model 41382 Relative Humidity/Temperature Probe** combines a high accuracy, capacitance type humidity sensor and precision Platinum RTD temperature sensor in one probe. This probe offers a choice of 0-1 VDC or 4-20 mA outputs for T and RH.

Model 41342 Temperature Probe offers accurate temperature-only measurement. Three output options are available: 0-1 VDC, 4-20 mA, and 4 wire RTD. Probes are easily installed in naturally ventilated (multi-plate) and aspirated radiation shields. A junction box is provided for cable terminations.



Ordering information	Sensor Cable	Model
RELATIVE HUMIDITY/TEMP PROBE 4-20 mA output	18723	41382L
RELATIVE HUMIDITY/TEMP PROBE 0-1 VDC output	18446	41382V
TEMPERATURE PROBE 4 wire RTD output	18723	41342
TEMPERATURE PROBE 4-20 mA output	18641	41342L
TEMPERATURE PROBE 0-1 VDC output	18443	41342V