

Signature55

REVOLUTIONIZING LONG RANGE CURRENT PROFILING

BROADBAND SERIES



TRUE INNOVATION MAKES A DIFFERENCE

Signature55

REVOLUTIONIZING LONG RANGE CURRENT PROFILING



Nortek is pleased to introduce the Signature55, a dual frequency long range current profiler that uses broadband processing and modern electronics to give you the most flexible current profiler available. Designed to be mounted on buoys and offshore platforms for online applications or in bottom frames and subsurface buoys in stand-alone mode, the instrument has a verified range of 1000m in the open ocean. It also comes with a host of new features, including a complete Ethernet interface.

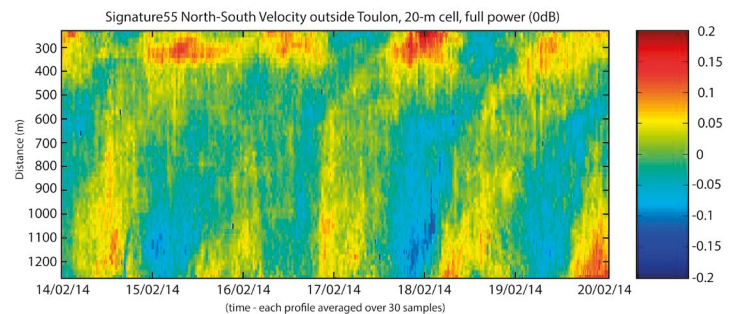
Profiling Range Consideration

The ability to profile current velocity over 1000 meters depends on a series of instrument and environmental parameters. Users can control transmit power and cell size by changing the instrument configurations, while transducer size and efficiency, acoustic frequency, receiver sensitivity, and immunity to noise are determined by instrument design. Nortek designed and optimized all elements of the Signature55 with a strict focus on achieving 1000m range. Environmental parameters like salinity and acoustic scattering conditions, however, will also influence the profiling range.

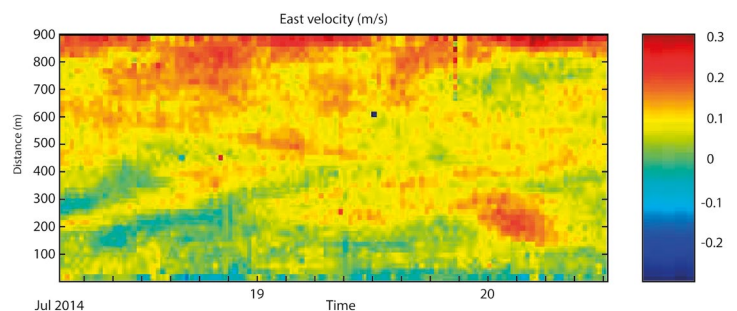
Local scattering conditions are difficult to predict and require real data in the area of interest to determine range. Scattering conditions also vary with time, depth, and biological activity.

Nortek has tested the Signature55 both independently and in partnership with experienced long range instrument users around the globe in order to better predict performance in local scattering conditions and varying environments.

Displayed to the right is data collected by NortekMed off the coast of Toulon, France and a selection of data collected at Mississippi Canyon Block 118 in the Gulf of Mexico by the Gulf Integrated Spill Research Consortium led by Chief Scientist, Dr. Scott Socolofsky of Texas A&M University.



Comparative tests conducted in the Mediterranean exhibited more than 30dB variation in scattering conditions over the profiling range. Here, the Signature55 profiled more than 1000m in both up-looking and down-looking orientation, due to an abundance of small targets close to the bottom and at the surface.



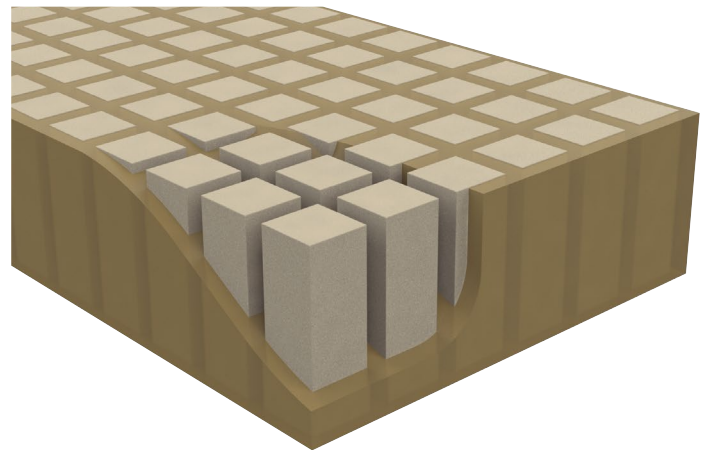
This deployment in the Gulf of Mexico at 950m depth was able to reach the surface. The active shelf biology in this location, however, would enable a downward-looking instrument to profile even further than this upward-looking deployment.

The AD2CP is Nortek's broadband Doppler signal processing platform. It is the product of thousands of engineering man-hours and includes a series of innovative elements, which will open doors to new applications and inspire exciting research possibilities.

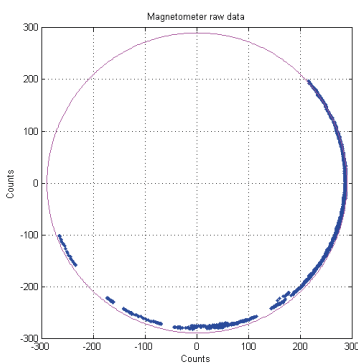
- ✓ AD2CP broadband combines frequency-modulated transmissions with fast sampling rates and adjustable bandwidth. The result is unparalleled performance in both standard and specialized applications.
- ✓ AD2CP hardware can alternate between multiple measurement modes. One instrument replaces several by offering concurrent or alternating measurements of currents, turbulence, waves and ice.
- ✓ AD2CP recorders will store all raw Doppler and sensor data. Improve data quality by removing contamination from fish or other influences.
- ✓ AD2CP Ethernet connection provides easy access to the instrument from any location, simple integration into instrumentation networks, and fast recorder download.
- ✓ AD2CP adjustable power output facilitates long endurance operation by allowing new short-range applications, which combine higher vertical resolution with lower power consumption.
- ✓ AD2CP blue light illuminates when power is applied and blinks when the transmitter is active. Deploy the instrument with the utmost confidence that it is operating.

Signature55 Transducers

To achieve optimum efficiency and range, the Signature55 transducers use "piezo-composite" elements designed by Nortek. The three transducers are 25 cm in diameter. The large size increases the directivity, and hence the profiling range. This also reduces the potential interference from objects that are located within the profiling range. For QA/QC purposes, all AD2CPs collect signal amplitude and correlation values along each beam and in each range cell. It is also possible to use the measured vertical velocity for QA/QC purposes, just as in Nortek systems employing the standard three transducer design.



Magnetometer



The Signature55 employs a three-axis magnetometer and two tilt measurements to derive compass readings. Taking advantage of multi-GB recorder sizes, the Signature55 collects and stores all sensor data, as part of the standard AD2CP data structure.

This allows the user to

remove the influence of magnetic materials on the compass as long as the instrument rotates at least 180 degrees during deployment. The resulting hard iron correction improves the estimate of current direction.

Online Applications

The mechanical design of the Signature55 is suitable for applications on platforms, drilling rigs, and buoys. All parts exposed to seawater are made from strong plastics and titanium to protect from corrosion. The rugged metal connector and the cable to the controller are also designed to avoid corrosion and maintain reliable data return.

To facilitate the integration of the Signature55 into third party controllers or software programs, the interface can be controlled with ASCII commands and data can be output in the form of NMEA strings. An interface manual is available from Nortek to guide integrators.

The Signature55 maximizes data quality and minimizes the sensitivity of the instrument by utilizing correlation, an instrument quality parameter to discard weak data points before calculating the average current profile. This is especially important in areas with external noise, whether from sonars, fish, bad weather, or propellers.

Deep Water Mooring Solution

Nortek Signature Buoy



The Nortek subsurface buoy is purpose-built for the Signature55. The elliptical shape minimizes the drag and an integrated frame holds the instrument in place.

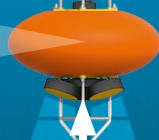
Easy access to the battery compartment from the end opposite of the transducers, so downloading of data or battery change is simplified and does not require the instrument to be dismounted.

Dual Mode Advantage

The Signature55 can operate in two alternating modes, as configured by the user. This sample configuration takes advantage of both. Here, a downward looking Signature55 operates in Mode A, at maximum power, with long range and large cells to measure the mean current profile over 1000 m. This is alternated with Mode B, which operates at reduced transmit power over a shorter range. Mode B offers increased vertical and temporal resolution to reveal complex ocean dynamics such as internal waves and mixing layer dynamics.

AWAC with SUV

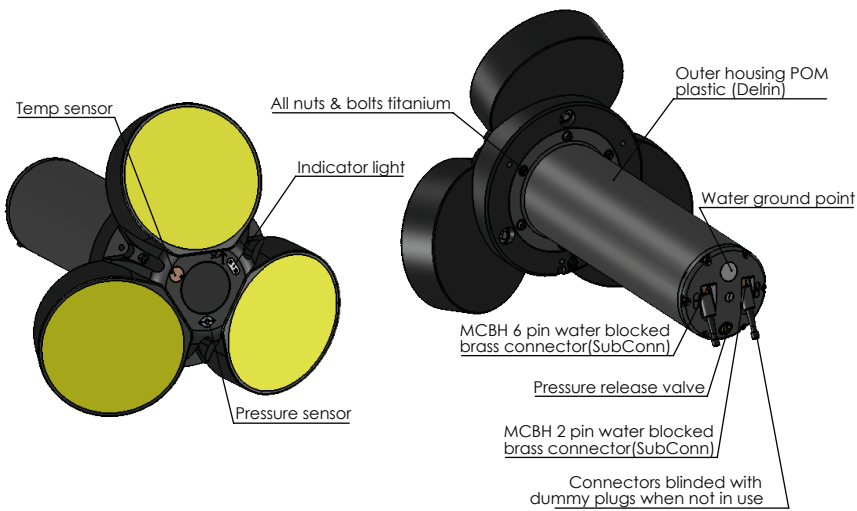
The Nortek AWAC in patented SUV mode adds the advantage of higher resolution current profiles at the surface as well as directional wave measurements.



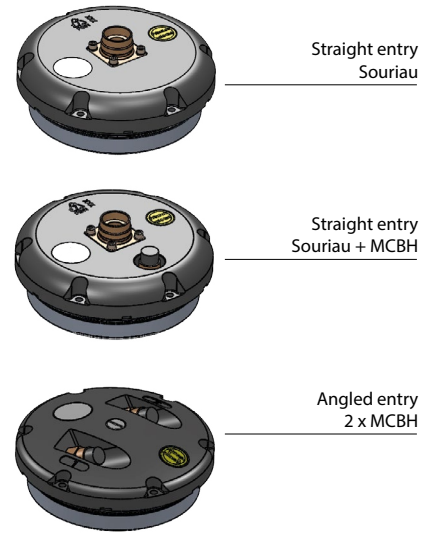
~1000m
Current profile

Signature55 - Technical Drawings

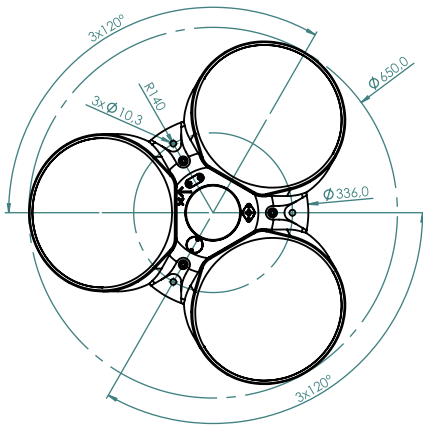
Signature55



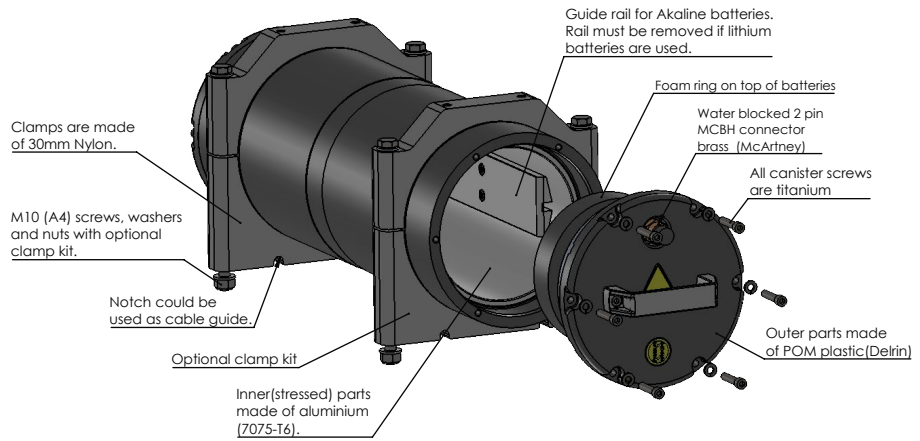
Optional connectors



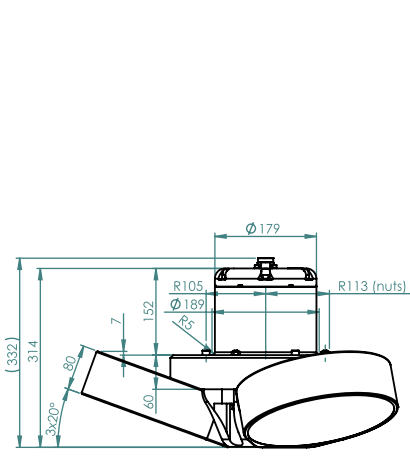
Signature55, top view



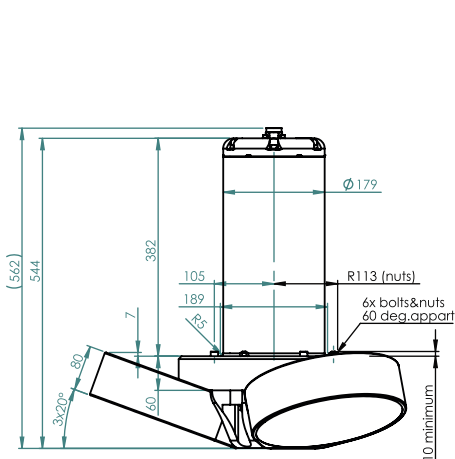
Optional external battery can, 1500 m depth rating



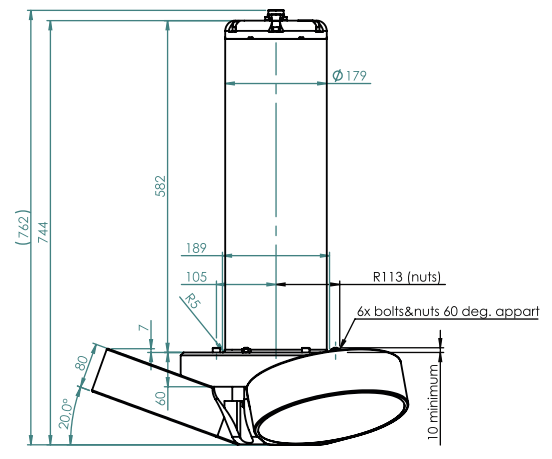
Signature55, 145mm Housing



Signature55, 375mm Housing



Signature55, 575mm Housing



Technical Data

Water Velocity Measurements

Profiling range*:	1000m (55kHz), 600m+ (75kHz)
Cell size:	5–20m
Min. blanking:	2m
Max. # cells:	200
Velocity range:	User selectable 1.0 or 5.0m/s
Accuracy:	1% of measured value ± 0.5cm/s
Velocity resolution:	0.1cm/s
Max Sampling Rate:	1 Hz, High-power 1/3 Hz

*) Maximum range depends on power consumption and acoustic scattering conditions

Echo Intensity

Sampling:	Same as velocity
Resolution:	0.5dB
Dynamic range:	70dB
Transducer acoustic frequency:	55 and 75 kHz
No. of beams:	3, slanted at 20°
Beam width:	4.5°-5.5°

Sensors

Temperature:	Thermistor embedded in head
Range:	-4°C to 40°C
Accuracy/Resolution:	0.1°C/0.01°C
Time response:	2 min
Compass:	Solid State Magnetometer
Accuracy/Resolution:	2° for tilt < 20°/0.01°
Tilt:	Solid State Accelerometer
Accuracy/Resolution:	0.2° for tilt <30°/0.01°
Maximum tilt:	Full 3D
Up or down:	Automatic detect
Pressure:	Piezoresistive
Standard Range:	0–1500m (inquire for options)
Accuracy/Resolution:	0.1% FS / Better than 0.002% of full scale

Data Communication

I/O:	Ethernet or configurable RS-232/RS422
Serial Communication Baud rate:	300-1250000 baud
Recorder download baud rate:	20 Mbit/s (Ethernet only) - 1 GByte in 6 minutes
Controller Interface:	ASCII command interface with telemetry options over Telnet and serial interface. Complete data download over standard Ethernet FTP. Telemetry file downloadable over serial interface. See interface manual for more information.

Data Recording

Capacity (standard):	16 GB / Optional 64 GB
Data record:	86 bytes + 4 x Nbeams x Ncells
Mode:	Stop when full

Real Time Clock

Accuracy:	±1 min/year
Clock retention in absence of external power:	1 year

Software

Operating system:	Windows® 7 or later
Functions:	Deployment planning, start with alarm, data retrieval, conversion to ASCII and Matlab format.
Online data:	Collection and graphical display.

Power

DC input:	15–48VDC
Max. average consumption:	15W
Max. Peak current:	1.5A
Typical average consumption*:	2W
Sleep Consumption:	100µA, power depends on supply voltage.
Transmit power:	4–250W, adjustable levels
Ping sequence:	Multiplexing or Parallel

*) 10 min. average current profile, 1cm/sec horizontal Precision, Max cell size, max power level and long range mode. See deployment SW for other configurations.

Materials

Standard model:	Delrin® with titanium bolts. Reinforced polyurethane transducer cups.
-----------------	---

Connectors

Bulkhead:	MCBH or Souriau 14 M
Cable:	MCBH or Souriau 14 M

Environmental

Operating temperature:	-4°C to 40°C
Storage temperature:	-20°C to 60°C
Shock and vibration:	IEC 60068-1/IEC60068-2-64
Pressure rating:	1500m

Weight without batteries

Long:	
In Air	65.5 kg
In water	25.1 kg
Medium:	
In air	57 kg
In water	22.7 kg
Short:	
In air	56.5 kg
In water	26.8 kg

Weight of batteries

Alkaline batteries	5.0 kg
Lithium batteries	3.9 kg



TS-032-en-10.2016

twitter.com/norteknews

facebook.com/Norteknews

youtube.com/Nortekinfo



Nortek AS
Vangkroken 2
1351 Rud, Norway
Tel: +47 6717 4500
Fax: +47 6713 6770
inquiry@nortek.no

NortekMed S.A.S.
ZI Toulon Est
67, Avenue Frédéric Joliot-Curie
BP 520, 83078 Toulon Cedex 09
Tel: +33 (0) 4 94 31 70 30
Fax: +33 (0) 4 94 31 25 49
info@NortekMed.com

NortekUK
Cumberland House,
Grosvenor Square, Southampton
SO15 2BG, UK
Tel: +44 (0) 2382 026 029
Fax: +44 (0) 7973389355
inquiry@nortekuk.co.uk

NortekUSA
21 Drydock Avenue,
Suite 740E,
Boston, MA 02210
Tel: 617-206-5750
Fax: 617-275-8955
inquiry@nortekusa.com

Nortek China
Rm 1702
Software Building, No. 172
Minjiang Rd
Qingdao,
China
Tel: +86-532-85017270
Fax: +860532-85017570
inquiry@nortek.com.cn

Nortek B.V.
Schipholweg 333a
1171PL Badhoevedorp
Nederland
Tel: +31 20 6543600
Fax: +31 20 6599830
info@nortek-bv.nl